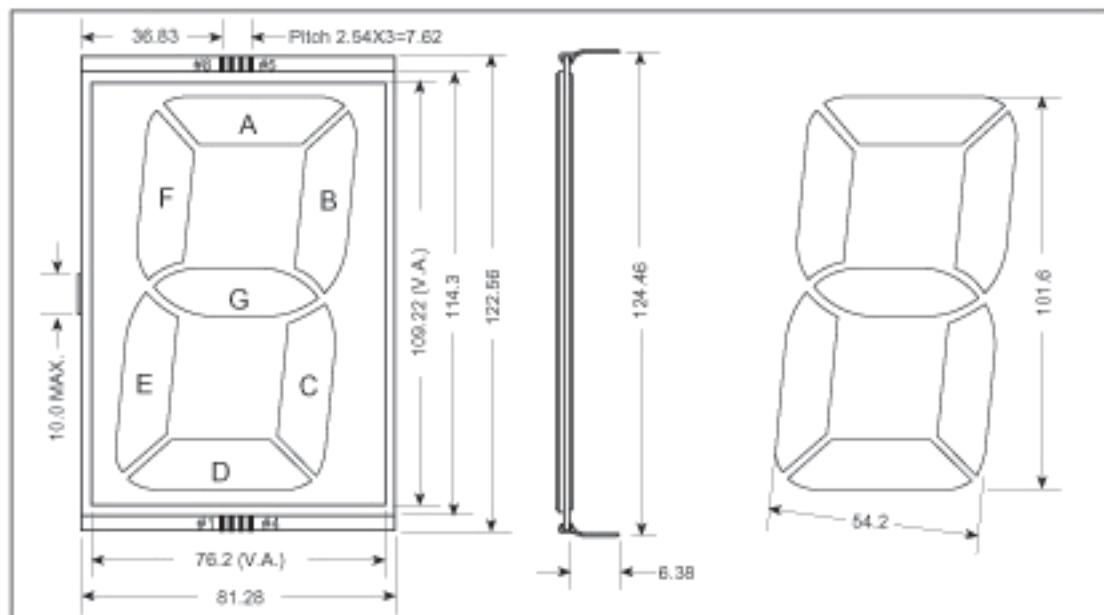


1.0 External Dimensions



2.0 Logic

PIN#	1	2	3	4	5	6	7	8
SYM.	COM	E	D	C	B	A	F	G