

# LCD MODULE MANUAL

---

Dalian Eastern Display Co., Ltd



## APPROVAL SHEET

Customer : \_\_\_\_\_  
Part Name :       **LCD MODULE**        
Model NO. :       **EDM1602-19**        
Drawing NO. : \_\_\_\_\_  
Approved by : \_\_\_\_\_  
Date :       **2003. 07. 25**      

Approved by	Checked by	Prepared by	Sheet code
		LI YUNKUI	2003-07-25

Add.: No.25-1 Harbin Road, Dalian Economic & Technical Zone, China.

Tel. : 86-411-7612955/7612956



# Contents

<b>1. Scope</b>	<b>3</b>
<b>2. Warranty</b>	<b>3</b>
<b>3. Features</b>	<b>3</b>
<b>4. I/O Terminal</b>	<b>6</b>
<b>5. Quality Level</b>	<b>27</b>
<b>6. Reliability</b>	<b>30</b>
<b>7. Handling Precautions</b>	<b>30</b>
<b>8. Precautions for Use</b>	<b>32</b>
<b>9. External Dimensions and Block Diagrams</b>	<b>32</b>

## 1. Scope

This manual defines general provisions as well as inspection standards for standard LCD module supplied by Dalian Eastern Display Co., Ltd.

If the event of unforeseen problem or unspecified items may occur, please contact the nearest supplier or our company.

## 2. Warranty

If module is not stored or used as specified in this manual, it will be void the 12- month warranty.

## 3. Features

### 3-1. Features

Display mode:	[ Transmissive and positive type STN LCD
Display color:	[ Display dots: dark blue Background: light gray
Controller:	KS0070B
Input data:	8-bit parallel data interfaced from a MPU
Multiplex ratio:	1/16 Duty
Viewing direction:	6 O'clock
Backlight:	LED
CGROM Capacity:	Character font 5×8 dots:160 characters
CGRAM Capacity:	Character font 5×8 dots:8 characters

### 3-2. Mechanical features

Item	Specifications	Unit
Outline dimensions	84.0(W)×45.0(H) × 15.1 Max.(T)	mm
Viewing Area	61.0(W)×16.0(H)	mm
Image Area	56.2(W)×11.5(H)	mm
Character Size	2.95(W) ×5.55(H)	mm
Distance between characters	3.55(W)×5.95(H)	mm
Dot Size	0.55(W)×0.65(H)	mm
Dot Pitch	0.6(W)×0.7(H)	mm
Weight	Approx. 50	g

## 3-3. Absolute maximum ratings

Item		Symbol	Min.	Max.	Unit	Note
Supply Voltage	Logic	Vdd	-0.3	7.0	V	1),2)
	LCD drive	Vdd - V0	Vdd-15.0	Vdd+0.3	V	1),2)
Input voltage		Vi	-	Vdd	V	1),2)
Operating Temperature		Top	0	50	°C	
Storage Temperature		Tstg	-20	70	°C	
Humidity		—	—	90	%RH	

## Note

- 1) The modules may be destroyed if they are used beyond absolute maximum ratings. In ordinary operation, it is desirable to use them within recommended operation conditions. Using the modules beyond these conditions may cause malfunction and poor reliability.
- 2) All voltage values are referenced to GND=0V.

## 3-4 Electrical characteristics

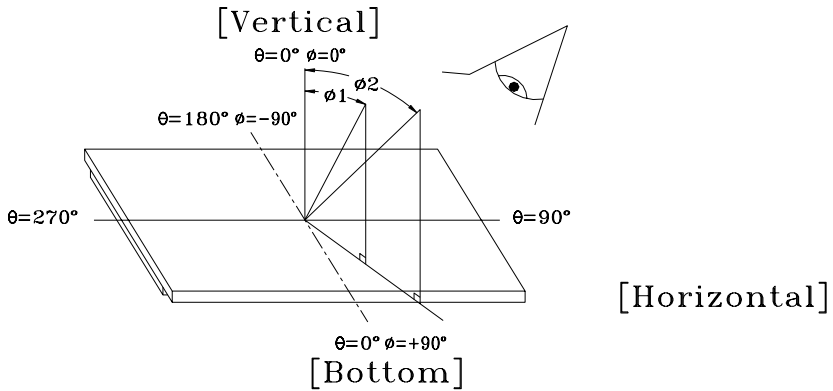
Item		Symbol	Condition	Min.	Typ.	Max.	Unit
Power Voltage	Logic	Vdd	—	4.5	5.0	5.5	V
	LCD drive	Vdd-Vee		4.6	5.0	10.0	
Input Voltage	'H' Level	Vih	—	2.2	—	Vdd	
	'L' Level	Vil		-0.3	—	0.6	
Output Voltage	'H' Level	Voh	Ioh=-0.205mA	2.4	—	—	
	'L' Level	Vol	Iol=1.2uA	—	—	0.4	
Internal Clock (external Rf)		Fosc	Rf=91kΩ ±2%	190	270	350	KHz
Power Consumption		Idd	ceramic resonator Fosc=250kHz	—	0.7	1.0	mA

Note: All the dots are in the static state.

## 3-5 Electro-optical Characteristics

Item		Symbol	Temp.	Condition	Min.	Typ.	Max.	Unit	Note
LCD Driving Voltage (Recommended Voltage)		Vop	25°C	$\phi=0^\circ, \theta=0^\circ$	—	5.0	—	V	1,2,5
Response Time	Rise Time	tr	-20°C	$\phi=0^\circ, \theta=0^\circ$	—	1500	2000	mS	1,3,5
			25°C		—	150	200		
	Decay Time	td	-20°C		—	3000	3500		
			25°C		—	200	250		
Viewing Angle		$\Delta \phi$	25°C	Vertical	-35	—	35	deg.	1,4,5
				Horizontal	-30	—	30		
Contrast Ratio		K	25°C	$\phi=0^\circ, \theta=0^\circ$	2.0	5.0	—	—	1,5,6

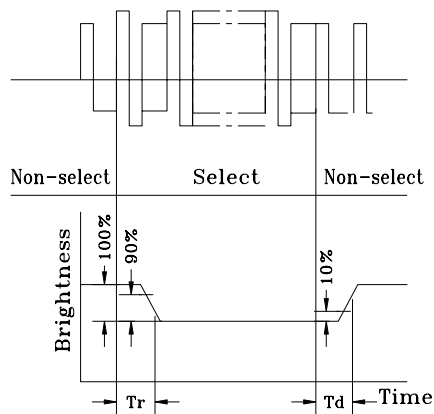
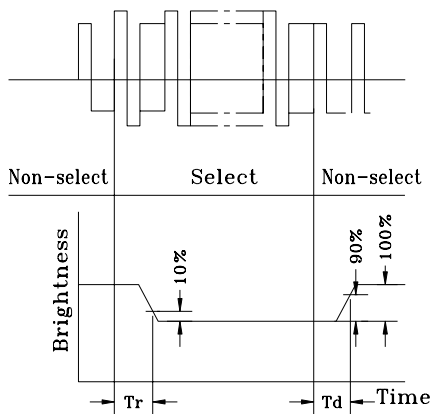
Note: <1> Definition of  $\phi$  and  $\theta$       <2> Contrast ratio higher than 2( $k \geq 2$ ) can be obtained in this voltage range.



Note: <3> Definition of response time wave form

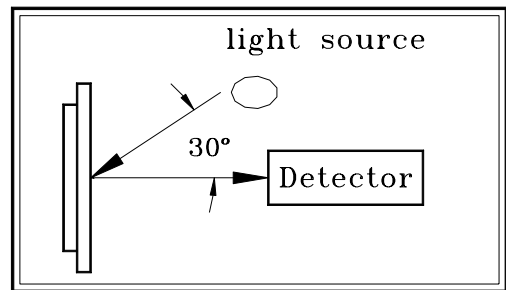
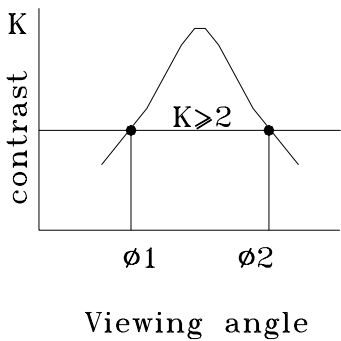
Positive Display

Negative Display



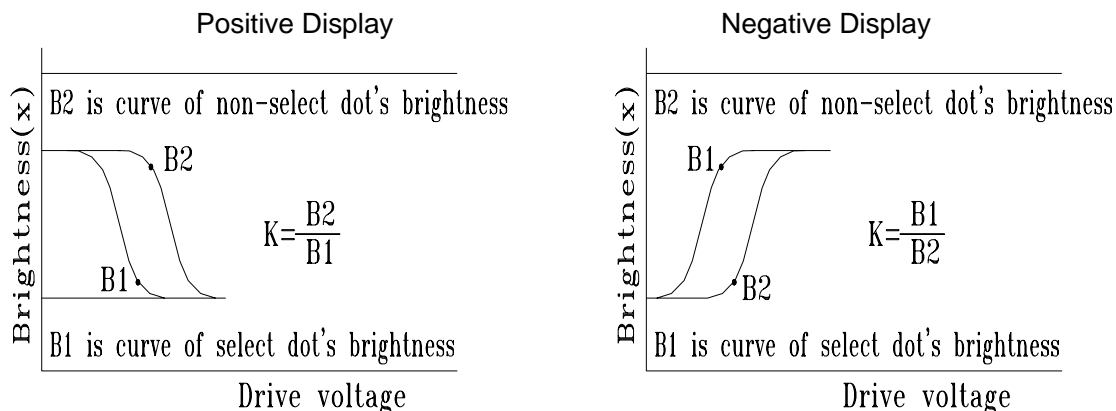
Note: <4> Definition of viewing angle  
( $\Delta \Phi$ )  $\Delta \Phi = |\Phi 1 - \Phi 2|$

Note: <5> Optical measuring system  
temperature regulated chamber



Measuring equipment: DMS  
(Made in AUTRONIC)

Note: <6> Definition of contrast ratio (K)



$$\text{Contrast ratio (K)} = \frac{\text{Brightness of non-selected dot (B2)}}{\text{Brightness of selected dot (B1)}}$$

### 3-4-2. LED backlight specifications

Note<1>: Half value of initial brightness at 20°C 60%RH

Item	Unit	Standard Values			Condition
		Min.	Typ.	Max.	
Supply Voltage	V	—	4.2	—	—
Brightness	cd/m <sup>2</sup>	150	200	—	DC5 Vrms, Dark room
Current	mA	100	—	800	DC5 Vrms, Dark room
Lifetime	Hrs	10000			Note <1>
Luminous Color	—	Yellow green			DC5 Vrms, Dark room
Operating Temp.	°C	-20 ~ +70			—
Storage Temp.	°C	-30 ~ +80			—

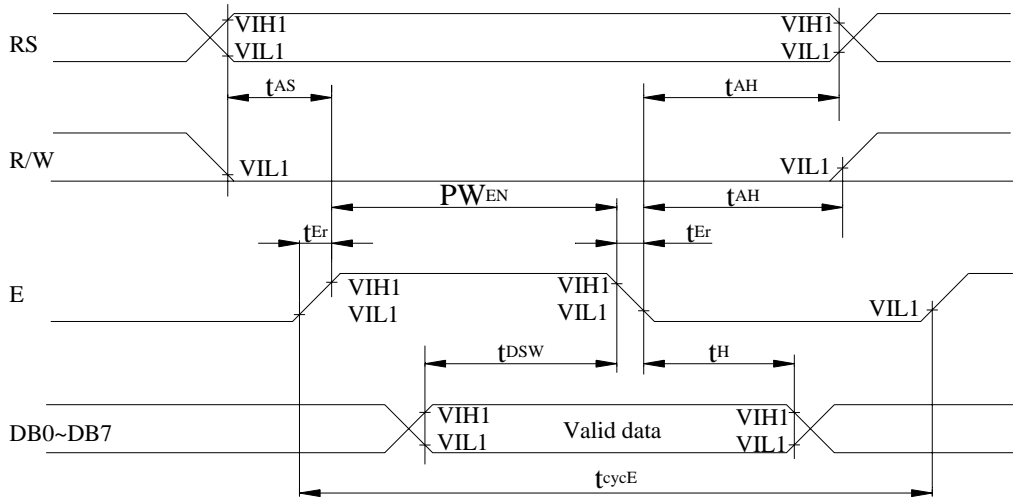
## 4. I/O Terminal

### 4-1. I/O Connection

Pin No.	Symbol	Function
1	Vss	Signal ground (GND)
2	Vdd	Power supply voltage (+5V)
3	Vee	Power supply for driving LCD ( variable)
4	RS	Input terminal, interfaced with MPU Selects registers RS=0, Instruction register (for write) Busy flag: address counter ( for read) RS=1, Data register (for write and read)
5	R/W	Input terminal, interfaced with MPU

		Selects read or write R/W=1 Read ; R/W=0 Write
6	E	Input terminal, interfaced with MPU The enable signal.
7~14	DB0~DB7	Input/output terminal, interfaced with MPU, transfers and receives data between the MPU and module. DB4~DB7: Four high order bi-directional tristate data bus pins. DB7 can be used as a busy flag. DB0~DB3: Four low order bi-directional tristate data bus pins These pins are not used during 4-bit operation.
15	LED+	Power supply for backlight
16	LED-	Power supply for backlight

4-2 Signal timing diagram

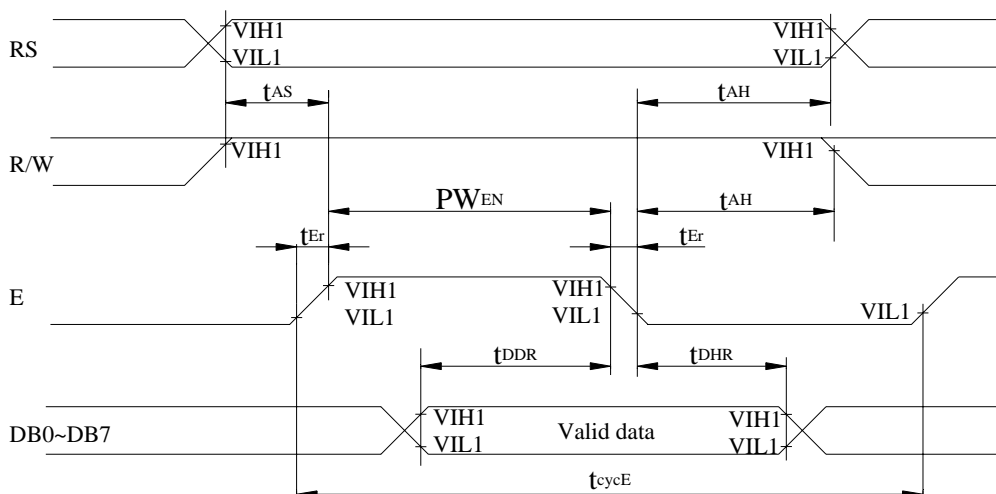


4-2-1 Write Operations

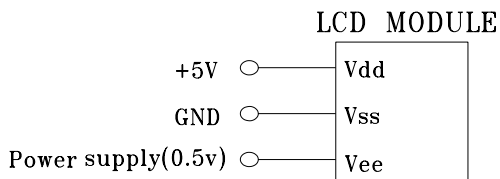
Item	Symbol	Condition	Min.	Max.	Unit
Enable cycle time	$t_{cycE}$	V <sub>dd</sub> =5V ±5% V <sub>ss</sub> =0V T <sub>a</sub> =25°C	1,000	—	ns
Enable pulse width (high level)	$PW_{EN}$		450	—	
Enable rise / fall time	$t_{Er}, t_{Ef}$		—	25	
Address set-up time (RS,R/W to E)	$t_{AS}$		140	—	
Address hold time	$t_{AH}$		10	—	
Data set-up time	$t_{DSW}$		195	320	
Data hold time	$t_H$	10	—		

4-2-2 Read Operation

Item	Symbol	Condition	Min.	Max.	Unit
Enable Cycle Time	$t_{cycE}$	Vdd=5V ±5% Vss=0V Ta=25°C	1,000	—	ns
Enable pulse width (high level)	PW <sub>EN</sub>	Vdd=5V ±5% Vss=0V Ta=25°C	450	—	ns
Enable rise / fall time	$t_{Er}, t_{Ef}$		—	25	
Address set-up time (RS,R/W to E)	$t_{AS}$		140	—	
Address hold time	$t_{AH}$		10	—	
Data delay time	$t_{DDR}$		—	320	
Data hold time	$t_{DHR}$		20	—	



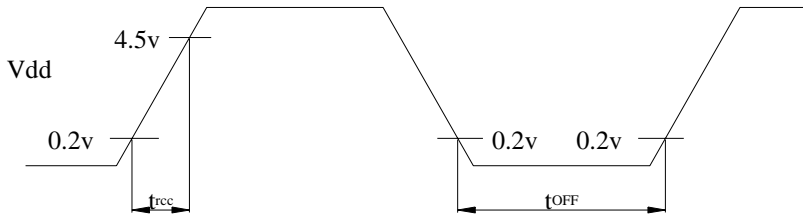
4-3 Power Supply Diagram



Power Supply Conditions Using Internal Reset Circuit



Item	Symbol	Condition	Min.	Max.	Unit
Power supply Rise time	$t_{rdd}$		0.1	10	ms
Power supply Off time	$t_{OFF}$		1	—	



Note: If power supply voltage is below 4.5v, the internal reset circuit will not operate normally. So it is recommendable that user can initialize the module by software.

#### 4-4 Application features of modules:

- This series of modules are suitable to be interfaced with 4-bit or 8-bit MPU. The interfaces are controlled respectively by Enable Signal (E), Register-Selection Signal (RS), and Read/Write Controlling Signal (R/W). Busy Flag (BF) is a status sign of internal operation of module. Before MPU visits module, it is recommendable that user should read the status sign of BF.
- This series of modules offer 5X8 dots or 5X7 dots character font with cursor. User may select the suitable model of module according to display requirements.
- This series of modules are equipped with Display Data RAM (DDRAM), Character Generator ROM (CGROM) and CGRAM. Users can store custom character pattern data of 8 • 5X8-dot character (Max.) by using CGRAM.
- The display positions of characters on LCD panels correspond to the storage addresses of character codes in DDRAM.
- Select duty cycles by instructions set:
  - one line 5X8 dots with cursor: 1/8
  - two lines 5X8 dots with cursor: 1/16
- Wide range of instruction functions:
  - Display clear, cursor home, display on/off, cursor on/off, display character blink, cursor shift, display shift.

By choosing the instruction, users can get the display mode of various characters.

- In the module, we provide Internal Reset Circuit. When the power supply voltage is above +4.5v, Internal Reset Circuit automatically initializes the

module and sets it into the default working state. ;

- Low power consumption of CMOS

#### 4-5 Descriptions for hardware and software

##### 4-5-1 The internal structure of a module

A module consists of LCD panel, controller, segment driver(s), and bias generator circuit.

The Dfm1602trncn-01 is a character dot matrix module of 5x7 dots with cursor line, two lines, 16x2 characters.

The suitable segment driver(s) is used together with controller. It receives oscillation, alternated signal, data and shift/latch clock, to drive segment to display. Controller receives instructions and data from MPU to control the operation of module. Under the control of controller, MPU is interfaced with E, R/W, and RS by 8-bit or 4-bit data bus line DB0 to DB7, which are in the coordination in accordance with specified timing. So, by receiving the instructions and data from data bus lines, the controller finds the character codes in CGROM which are then to be put into DDRAM, and display characters in the specified positions on the LCD panel corresponding to the addresses in DDRAM. It can also realize the characters displaying, blinking, and shifting and other results by the instructions of MPU.

The controller is composed of Instruction Register (IR), Data Register (DR), Busy Flag (BF), Address Counter (AC), DDRAM, CGROM, CGRAM and Timing Generator Circuit.

- Instruction Register (IR) and Data Register (DR)

The module has two 8-bit registers, which are an instruction register (IR) and an data register (DR). By RS and R/W input signals, these two registers can be selected. (See the following table)

E	RS	R/W	Description
1→0	0	0	Instruction codes DB0 to DB7 are written into IR.
1		1	Read busy flag (DB7) and address counter (DB0 to DB6)

E	RS	R/W	Description
---	----	-----	-------------

1→0	1	0	Data DB0 to DB7 are written into DR. DR write as an internal operation (DR to DDRAM or CGRAM)
1		1	DR read as an internal operation (DDRAM or CGRAM to DR)

The Instruction Register (IR) stores instruction codes and address information for display. It can only be written from the MPU.

The Data Register (DR) temporarily stores the transfer data between MPU, DDRAM and CGRAM. Such data transfer can go on automatically by an internal operation.

□ Busy Flag (BF)

When the busy flag is 1, the module is in the internal operation mode and the next instruction and data will not be accepted. When RS=0 and R/W=1 (E in high level), the busy flag is output to DB7. It is recommended that the users had better go on the testing of state character. After you ensure that the busy flag is 0, MPU can be allowed to visit the module.

□ Address Counter (AC)

The address counter (AC) assigns address to DDRAM or CGRAM. When an address of an instruction is written into the IR, the address information is sent from the IR to the AC. Selection of either DDRAM or CGRAM is also determined concurrently by the instruction.

AC has the function of automatically incrementing by 1 and decrementing by 1. After writing into (reading from) DDRAM or CGRAM, the AC is automatically incremented by 1 (decremented by 1). The AC contents are then output to DB0 to DB6 when RS=0 and R/W=1 (E in high level).

High order bits			Low order bits			
DB6	DB5	DB4	DB3	DB2	DB1	DB0
AC6	AC5	AC4	AC3	AC2	AC1	AC0

□ Display Data RAM (DDRAM)

DDRAM stores display data represented in 8-bit character codes. Its capacity determines how many characters can be displayed at most. The Dfm1602trncn-01 has the 80x8 bits capacity of DDRAM and the maximum 80 of displayed characters.

The following is the relationship between DDRAM address and display positions

on the LCD panel.

Display position		1	2	3	...	38	39	40
DDRAM Address	The first line	00H	01H	03H	...	25H	26H	27H
DDRAM Address	The second line	40H	41H	42H	...	65H	66H	67H

When the display shift operation is performed, the DDRAM address shifts. Take the example of 8-character display in 1 line (See the following table).

Display position		1	2	3	4	5	6	7	8
DDRAM Address	The first line	00H	01H	02H	03H	04H	05H	06H	07H
DDRAM Address	The second line	40H	41H	42H	43H	44H	45H	46H	47H

For shift left

1	2	3	4	5	6	7	8
01H	02H	03H	04H	05H	06H	07H	08H
41H	42H	43H	44H	45H	46H	47H	48H

For shift right

1	2	3	4	5	6	7	8
27H	00H	01H	02H	03H	04H	05H	06H
67H	40H	41H	42H	43H	44H	45H	46H

□ Interface to the MPU

This series of modules can send data in either two 4-bit operations or one 8-bit operation, thus allowing interfacing with 4-bit or 8-bit MPUs.

- ◇ For 4-bit interface data, only four bus lines (DB4 to DB7) are used for transfer. Bus lines DB0 to DB3 are disabled. The data transfer between the model and the MPU is completed after the 4-bit data has been transferred twice. As for the order of data transfer, the four high order bits (for 8-bit operation, DB4 to DB7) are transferred before the four low order bits (for 8-bit operation, DB0 to DB3). The busy flag must be checked (one instruction) after the 4-bit data has been transferred twice. Two more 4-bit operations then transfer the busy flag and address counter data. As for the order of data transfer, the four high order bits are transferred before the four

low order bits.

✧ For 8-bit interface data, all eight bus-lines (DB0 to DB7) are used.

□ Character Generator ROM

The character generator ROM generates 5X7-dot character pattern from 8-bit binary character codes (one character corresponds to a character pattern.). Character patterns correspond to 8X8 dot matrix bitmap data of the displayed characters. The three high order bits of matrix rows are 0 corresponding to the rows of the displayed dot matrix. Meanwhile, a character pattern corresponds to a character code, which consists of high 8-bit address data in CGROM.

For the single-area display structure, the range of character codes is 00H to FFH, which correspond to custom character pattern set in CGRAM by user. For double areas or multi-area display structure, E controls the operation of each area so that the generation of characters in each area is not interfering with each other and the range of character codes in each display area is 001H to FFH.

□ Character Generator RAM

In the character generator RAM, the user can rewrite character patterns by programming. For the single-area display structure module, 8 character-patterns for 5X8 dots can be written. The corresponding character codes can be selected from 001 to 07H. For the dual-area display structure module, E controls the operation of each display area so that the character-generation of each area is not interfering with each other. It can generate 8 character patterns for 5X8 dots whose character code is selected from 001H to 07H.

**Correspondence between Character Codes and Character Patterns**

Higher 4 bits Lower 4 bits	0000	0010	0011	0100	0101	0110	0111	1010	1011	1100	1101	1110	1111
xxxx0000	CG RAM (1)		Ø	à	P	`	ƒ		—	夕	≡	α	ρ
xxxx0001	(2)	!	1	A	Q	a	q	。	ア	チ	△	ä	q
xxxx0010	(3)	"	2	B	R	b	r	「	イ	ツ	×	β	θ
xxxx0011	(4)	#	3	C	S	c	s	」	ウ	テ	ε	ε	∞
xxxx0100	(5)	\$	4	D	T	d	t	、	エ	ト	†	μ	Ω
xxxx0101	(6)	%	5	E	U	e	u	・	オ	ナ	1	σ	ü
xxxx0110	(7)	&	6	F	V	f	v	ヲ	カ	ニ	ヨ	ρ	Σ
xxxx0111	(8)	'	7	G	W	g	w	ア	キ	ヌ	ラ	g	π
xxxx1000	(1)	(	8	H	X	h	x	イ	ク	ネ	リ	∫	∞
xxxx1001	(2)	)	9	I	Y	i	y	ウ	ケ	ル	ル	"	y
xxxx1010	(3)	*	:	J	Z	j	z	エ	コ	ハ	レ	j	≠
xxxx1011	(4)	+	;	K	[	k	[	オ	サ	ヒ	ロ	*	π
xxxx1100	(5)	,	<	L	¥	l	l	†	シ	フ	フ	φ	π
xxxx1101	(6)	-	=	M	]	m	]	ユ	ヌ	ハ	ン	も	÷
xxxx1110	(7)	.	>	N	^	n	+	ヨ	セ	ホ	°	ñ	
xxxx1111	(8)	/	?	O	_	o	+	ッ	ソ	マ	°	ö	■

**Example of Correspondence between CGROM Address, Character Codes and Character Patterns (5X8 Dots)**

CGROM Address												Data				
A11	A10	A9	A8	A7	A6	A5	A4	A3	A2	A1	A0	O4	O3	O2	O1	O0
								0	0	0	0	1	0	0	0	0
								0	0	0	1	1	0	0	0	0
								0	0	1	0	1	0	1	1	0
								0	0	1	1	1	1	0	0	1
								0	1	0	0	1	0	0	0	1
								0	1	0	1	1	0	0	0	1
								0	1	1	0	1	1	1	1	0
0	1	1	0	0	0	1	0	0	1	1	1	0	0	0	0	0
								1	0	0	0	0	0	0	0	0
								1	0	0	1	0	0	0	0	0
								1	0	1	0	0	0	0	0	0
								1	0	1	1	0	0	0	0	0
								1	1	0	0	0	0	0	0	0
								1	1	0	1	0	0	0	0	0
								1	1	1	0	0	0	0	0	0
								1	1	1	1	0	0	0	0	0

Note:

- ✧ High 8-bit CGROM addresses A11 to A4 correspond to a character code.
- ✧ Low 4-bit CGROM addresses A3 to A0 specify a line position of the character pattern.
- ✧ CGROM data O4 to O0 correspond to character pattern data.
- ✧ High 3-bit CGROM data O5 to O7 must be specified as 0.
- ✧ A lit display position (black) corresponds to a 1.
- ✧ Line 9 and the following lines must be blanked with 0s for a 5X8 dot character font.

**Relationship between CGRAM Addresses, Character Codes and Character Patterns (Custom 5X8 Dots)**

Character Code								CGRAM Address				Character Patterns									
7	6	5	4	3	2	1	0	5	4	3	2	1	0	7	6	5	4	3	2	1	0
High				Low				High		Low		High				Low					
0 0 0 0 * 0 0 0								0 0 0				* * *				0 0 1 0 0				Character patterns (1)	
												1 1 1				1 1 0 0 1					
												0 1 0				1 0 0 0 0					
												0 1 1				1 0 0 0 0					
												1 0 0				0 1 1 0 1					
												1 0 1				0 0 1 0 0					
												1 1 0				1 1 1 1 1					
												1 1 1				* * *					0 0 0 0 0
0 0 0 0 * 0 0 1								0 0 1				* * *				0 0 1 0 0				Character patterns (2)	
												0 0 1				0 0 0 1 0 0					
												0 1 0				0 1 1 1 0					
												0 1 1				0 0 0 0 0					
												1 0 0				0 0 0 0 0					
												1 0 1				1 1 1 1 1					
												1 1 0				0 0 0 0 0					
												1 1 1				* * *					0 0 0 0 0
0 0 0 0 * 1 1 1								1 1 1				* * *				0 1 1					
												1 0 0				1 0 1					
												1 1 0				1 1 0					
												1 1 1				* * *					
												* * *				* * *					

Note:

- ✧ Character code bits 0 to 2 correspond to CGRAM address bits 3 to 5.
- ✧ CGRAM address bits 0 to 2 designate the character pattern line position. The 8<sup>th</sup> line is the cursor position. Maintain the 8<sup>th</sup> line data, corresponding to the cursor display position, at 0 as the cursor display. If the 8<sup>th</sup> line data is 1,1 bits will light up the 8<sup>th</sup> line regardless of the cursor presence.
- ✧ Custom character bitmap is the evaluation state of character pattern data bit 0 to 4.
- ✧ As shown Table above, character code bit 3 has no effect on custom CGROM character code. The range of custom character codes is 00H to 07H or 08H to 0F. That is to say, character codes 00H and 08H correspond to the same group of custom character patterns.
- ✧ 1 for CGRAM data corresponds to display selection.

4-5-2 Instruction Description

Only the instruction register (IR) and the data register (DR) of the module can be controlled by the MPU. Before starting the internal operation of the module, control



information is temporarily stored into these registers to allow interfacing with various MPUs, which operate at different speeds, or various peripheral control devices. The internal operation of the module is determined by signals sent from the MPU. These signals, which include register selection signal (RS), read/write signal (R/W), E, and the data bus (DB0 to DB7), make up the module instructions. The module is provided with 11 kinds of instructions. There are four categories of instructions that:

- ◇ Designate module function, like display format, data length, etc.
- ◇ Set internal RAM addresses
- ◇ Perform data transfer of internal RAM
- ◇ Perform miscellaneous functions

Normally, instructions that perform data transfer with internal RAM are used the most. However, auto-incrementing by 1 (or auto-decrementing by 1) of internal RAM addresses after each data write can lighten the program load of the MPU. Since the display shift instruction can perform concurrently with display data write, the user can minimize system development time with maximum programming efficiency. Be sure the module is not in the busy state (BF=0) before sending an instruction from the MPU to the module.

- Clear display

Code:

RS	R/W	DB7	DB6	DB5	DB4	DB3	DB2	DB1	DB0
0	0	0	0	0	0	0	0	0	1

Clear display writes space code 20H into DDRAM addresses. The contents of DDRAM are cleared. The display disappears and the cursor or blinking goes to the left edge of the display. It also sets I/D to 1 (increment mode) in entry mode. S of entry mode does not change.

- Return home

Code:

RS	R/W	DB7	DB6	DB5	DB4	DB3	DB2	DB1	DB0
0	0	0	0	0	0	0	0	1	*

Return home sets DDRAM address 0 into the address counter, and returns the display to its original status if it was shifted. The DDRAM contents do not change.

Note: \* Don't care.

- Entry mode set

Code:

RS	R/W	DB7	DB6	DB5	DB4	DB3	DB2	DB1	DB0
0	0	0	0	0	0	0	1	I/D	S

I/D: I/D=1, Increment the DDRAM address by 1 when a character code is written into or read from DDRAM.

I/D=0, Decrement the DDRAM address by 1 when a character code is written into or read from DDRAM.

S: the sign of display shift

When S=1, shifts the entire display either to the right (I/D=0) or to the left (I/D=1).

When S=0, the display does not shift.

If S=1, it will seem as if the cursor does not move but the display does. The display does not shift when reading from DDRAM. Also, writing into or reading out from CGRAM does not shift the display.

Display on/off control

Code:

RS	R/W	DB7	DB6	DB5	DB4	DB3	DB2	DB1	DB0
0	0	0	0	0	0	1	D	C	B

D: The display is on when D is 1 and off when D is 0. When off, the display data remains in DDRAM, but can be displayed instantly by setting D to 1.

C: The cursor is displayed when C is 1 and not displayed when C is 0. Even if the cursor disappears, the other display functions of module will not change. The cursor is displayed using 5 dots in the 8<sup>th</sup> line for 5X8-dot character font and in the 11<sup>th</sup> line for the 5X10 dot character font.

B: The character indicated by the cursor blinks when B is 1. The blinking is displayed as switching between all blank dots and displayed characters. When  $F_{osc}$  is 250KHz and Blinking Frequency is 0.4ms, the cursor and the character indicated by the cursor blinking can be set to blink simultaneously.

Cursor or display shift

Code:

RS	R/W	DB7	DB6	DB5	DB4	DB3	DB2	DB1	DB0
0	0	0	0	0	1	S/C	R/L	*	*

Note: \* Don't care.

Cursor or display shift shifts the cursor position or display to the right or left without writing or reading display data. This function is used to correct or search the

display. In a 2-line display, the first and the second lines displays will shift at the same time. The cursor moves to the second line when it passes the 40<sup>th</sup> digit of the first line. When the display data is shifted repeatedly each line moves only horizontally. The second line display does not shift into the first line position. The address counter (AC) contents will not change if the only action performed is a display shift.

S/C	R/L	Description
0	0	Shifts the cursor position to the left. (AC is decremented by one.)
0	1	Shifts the cursor position to the right. (AC is incremented by one.)
1	0	Shifts the entire display to the left. The cursor follows the display shift.
1	1	Shifts the entire display to the right. The cursor follows the display shift.

- Function set

Code:

RS	R/W	DB7	DB6	DB5	DB4	DB3	DB2	DB1	DB0
0	0	0	0	1	DL	N	F	*	*

Note: \* Don't care.

Set the interface data length of module and display mode of LCD panel. That is to say, data are sent or received in 8-bit or 4-bit lengths. Set the number of display lines and the character font. Perform the function at the head of the program before executing any instructions (except for the read busy flag).

DL: Set the interface data length.

- Data are sent or received in 8-bit lengths (DB7 to DB0) when DL is 1.
- Data are sent or received in 4-bit lengths (DB7 to DB4) when DL is 0.  
When 4-bit length is selected, data must be sent or received twice.

N: Sets the number of display lines.

F: Set the character font.

N	F	No. of Display Lines	Character Font	Duty factor	Remarks
0	0	1	5X8	1/8	
1	*	2	5X8	1/16	

- Set CGRAM address

Code:

RS	R/W	DB7	DB6	DB5	DB4	DB3	DB2	DB1	DB0
0	0	0	1	ACG5	ACG4	ACG3	ACG2	ACG1	ACG0

Set CGRAM address sets the CGRAM address binary ACG5~ACG0 into the address counter. Data is then written to or read from CGRAM.

- Set DDRAM address

Code:

RS	R/W	DB7	DB6	DB5	DB4	DB3	DB2	DB1	DB0
0	0	1	ADD6	ADD5	ADD4	ADD3	ADD2	ADD1	ADD0

Set DDRAM address sets the DDRAM address binary ADD6~ADD0 into the address counter. Data is then written to or read from DDRAM.

However, when it is in the 1-line display mode, ADD6 to ADD0 can be 00H to 4FH. When it is in the 2-line display mode, ADD6~ADD0 can be 00H to 27H for the first line, and 40H to 67H for the second line.

- Read busy flag and address

Code:

RS	R/W	DB7	DB6	DB5	DB4	DB3	DB2	DB1	DB0
0	1	BF	AC6	AC5	AC4	AC3	AC2	AC1	AC0

When RS=0 and R/W=1 (E in high level), BF and AC6 to AC0 are read into the corresponding positions of DB7 to DB0.

BF: BF indicates that the system is now internally operating on a previously received instruction. If BF is 1, the internal operation is in progress. The next instruction will not be accepted until BF is reset to 0.

AC6~AC0: AC6~AC0 is the current content of AC. The address counter is used by CGROM, CGRAM and DDRAM addresses and its value is determined by the previous instruction. The AC6 to AC0 put into DB7 to DB0 is valid when BF is 0.

- Write Data to CGRAM or DDRAM

Code:

RS	R/W	DB7	DB6	DB5	DB4	DB3	DB2	DB1	DB0
1	0	D7	D6	D5	D4	D3	D2	D1	D0

Write data to CGRAM or DDRAM writes custom character pattern data to CGRAM or DDRAM, or character codes for displayed characters to DDRAM. DR temporarily stores D7 to D0 data to be written into DDRAM. Data written into the

DR is automatically written into DDRAM CGRAM by an internal operation.

- Read data from CGRAM or DDRAM

Code:

RS	R/W	DB7	DB6	DB5	DB4	DB3	DB2	DB1	DB0
1	1	D7	D6	D5	D4	D3	D2	D1	D0

Read data from CGRAM or DDRAM reads data D7 to D0 from CGRAM or DDRAM. DR temporarily stores data D7 to D0. Data D7 to D0 are then put into DB7 to DB0 by an internal operation. Before entering this read instruction, either CGRAM or DDRAM address set instruction must be executed by AC.

#### 4-5-3 Initializing by Internal Reset Circuit

The module has an internal reset circuit. The internal reset circuit automatically initializes the module when the power is turned on. The busy flag (BF) is kept in the busy state until the initialization ends (BF=1). The busy state lasts for 10 ms after Vcc rises to 4.5v.

The following instructions are executed during the initialization of module when the power is turned on.

- Display clear
- Function set:
  - DL=1: 8-bit interface data
  - N0: 1-line display
  - F=0: 5X8 dot character font
- Display on/off control:
  - D=0: Display off
  - C=0: Cursor off;
  - B=0: Blinking off
- Entry mode set:
  - I/D=1: Increment by 1
  - S=0: No shift

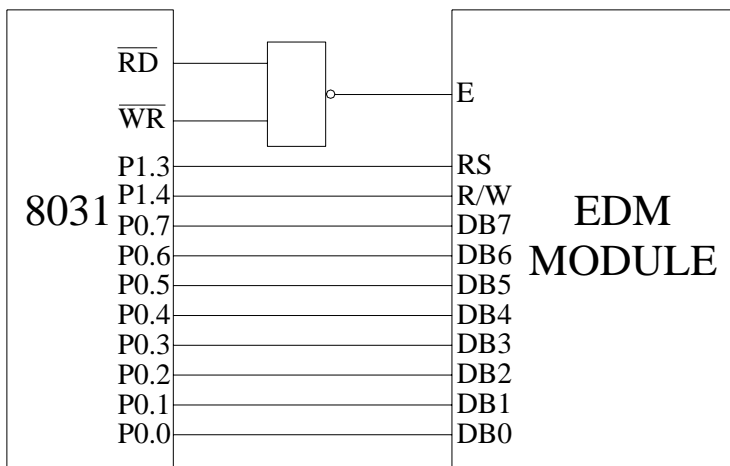
Note: If the power supply is not met with the requirements, the internal reset circuit will not operate normally and will fail to initialize the module. For such a case, initialization must be performed by instruction set.

## 4-6 Interfacing to the MPU

The module can send data in either two 4-bit operations or one 8-bit operation, thus allowing interfacing with 4-or 8-bit MPUs. Under the control of signal E in high level or falling edge, the module can distinguish the combination format of RS and R/W to determine instruction and data transferred by DB7 to DB0. Data bus lines DB7 to DB0 can transfer the data between the MPU and module.

The following is an application example of the module.

- Application Circuit:



- Application Program:

## ① Check the Busy Flag (BF)

```
BF: CLR  A
      CLR  RS
      SETB R/W
      MOVX A, @R0
      JB   ACC.7, BF
      RET
```

## ② Write data to IR

R1: Temporarily stores instruction code  
or

```
WI: CLR  R/W
```

## ③ Write data to DR

R2: Temporarily stores character code  
character pattern data

```
WD: SETB RS
```

```

CLR  RS
MOV  A, R1
MOVX @R0, A
RET

```

```

CLR  R/W
MOV  A, R2
MOVX @R0, A
RET

```

## ④ Delay 65ms

```

DELAY: MOV  R7, #0FFH
LOOP0: MOV  R6, #0FFH
      DJNZ R6, $
      DJNZ R7, LOOP0
      RET

```

## ⑤ Write custom character pattern data to CGRAM

```

WCG:  MOV  DPTR, #TAB
      MOV  R1, #40H
      LCALL BF
      LCALL WI
      MOV  R4, #40H      ; Character pattern data are transferred to
AC.

```

```

LOOP4: CLR  A
      MOVC A, @A+DPTR
      MOV  R2, A
      LCALL BF
      LCALL WD
      INC  DPTR
      DJNZ R4, LOOP4
      RET

```

## ⑥ Initializing module by instruction:

```

INI:  MOV  R3, #03H
      MOV  R1, #38H      ; Function set: 8-bit data, 1/16 DUTY, 5X8 font
      LCALL WI
      DJNZ R3, INI
      MOV  R1, #01H      ; Clear display
      LCALL BF
      LCALL WI
      MOV  R1, #06H      ; Input mode set: AC increments by 1
      LCALL BF
      LCALL WI
      MOV  R1, #0CH      ; Display on
      LCALL BF

```

LCALL WI

RET

⑦ Custom character

Character pattern data group

TAB

DB 1FH, 00H, 00H, 00H, 00H, 00H, 00H, 00H

DB 00H, 1FH, 00H, 00H, 00H, 00H, 00H, 00H

DB 00H, 00H, 1FH, 00H, 00H, 00H, 00H, 00H

DB 00H, 00H, 00H, 1FH, 00H, 00H, 00H, 00H

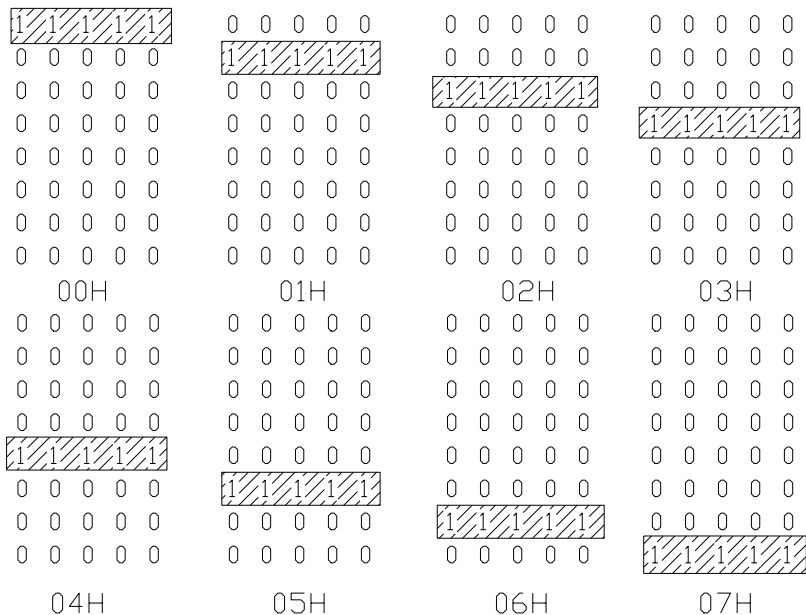
DB 00H, 00H, 00H, 00H, 1FH, 00H, 00H, 00H

DB 00H, 00H, 00H, 00H, 00H, 1FH, 00H, 00H

DB 00H, 00H, 00H, 00H, 00H, 00H, 1FH, 00H

DB 00H, 00H, 00H, 00H, 00H, 00H, 00H, 1FH

Custom character pattern bitmap



⑧ Write displayed character codes to DDRAM:

WDD: MOV DPTR, #0300H

MOV R5, #11H ; 16 characters are displayed.

LOOP2: MOV R1, #80H ; Display the first line and the third line.

LCALL BF

LCALL WI

MOV R3, #29H ; Every character is displayed forty

times



```

LOOP1: CLR  A
        MOVC A, @A+DPTR
        MOV  R2, A
        LCALL BF
        LCALL WD
        DJNZ R4, LOOP1
        MOV  R1, #0C00H      ; Display the second line and the fourth

```

line

```

        LCALL BF
        LCALL WI
LOOP3: CLR  A
        MOVC A, @A+DPTR
        MOV  R2, A
        LCALL BF
        LCALL WD
        DJNZ R4, LOOP3
        RET

```

⑨ Character codes for displayed characters:

```
ORG 0300H
```

```
DB 00H, 01H, 02H, 03H, 04H, 05H, 06H, 07H
```

```
DB 06H, 05H, 04H, 03H, 02H, 01H, 00H, 38H
```

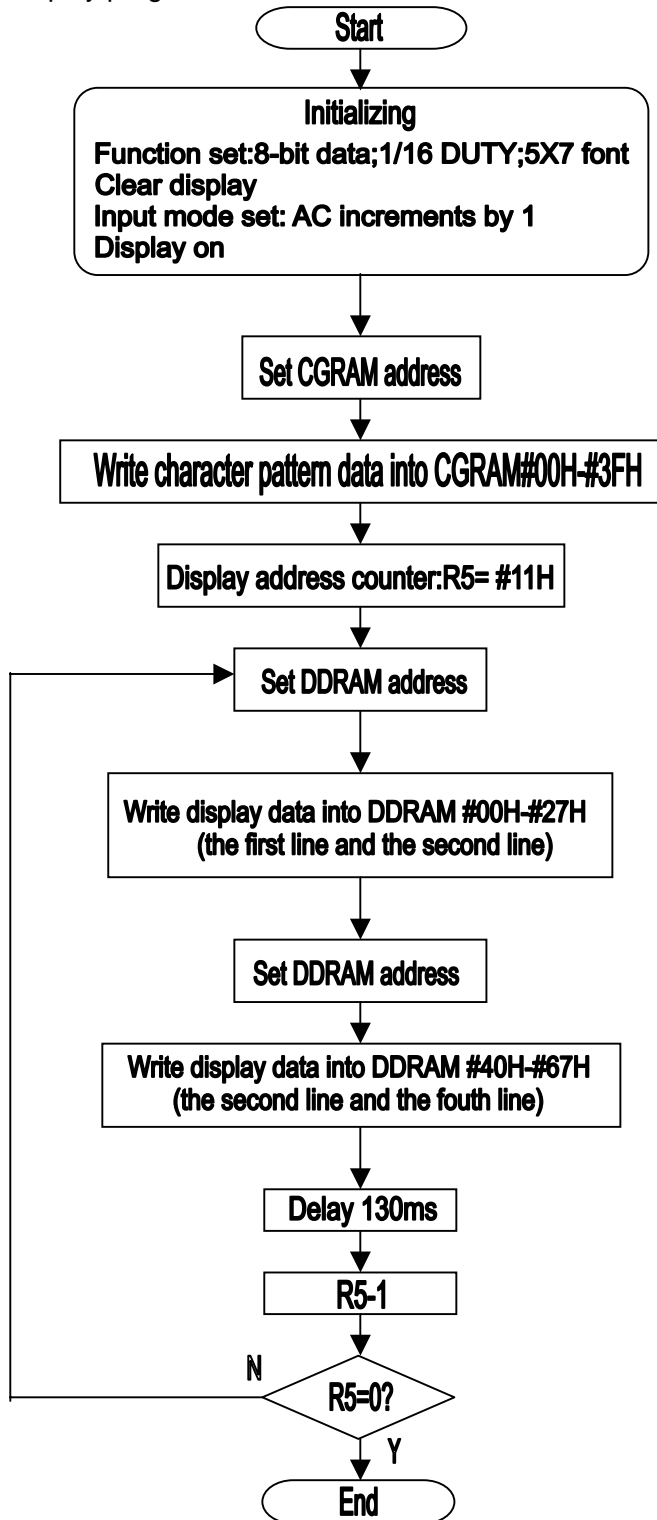
⑩ Main program for display

```

START:RS EQU P1.3
        R/W EQU P1.4
        ORG 0000H
        LCALL INI
        LCALL WCG
        LCALL WDD
        LCALL DELAY
        LCALL DELAY
        LJMP START

```

- The flow chart for display program



## 5. Quality Level

### 5-1 Inspection conditions

5-1-1 The environmental conditions for inspection shall be as follows:

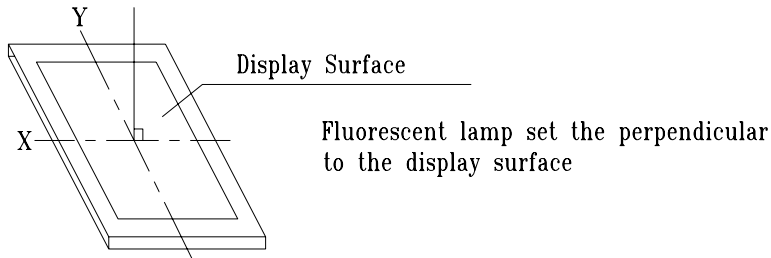
Room temperature:  $20 \pm 3^{\circ}\text{C}$

Humidity:  $65 \pm 20\% \text{ RH}$

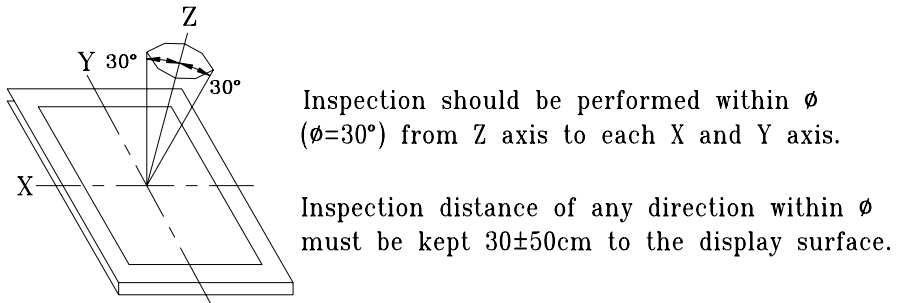
5-1-2 The external visual inspection:

The inspection shall be performed by using a 20W fluorescent lamp for illumination and the distance between LCD and the eyes of the inspector should be at least 30cm.

5-1-3 (1) Light method



(2) Inspection distance and angle



5-2 Sampling procedures for each item's acceptance level table

Defect type	Sampling procedure	AQL
Major defect	MIL-STD-105D Inspection Level I Normal inspection Single sample inspection	Q/ED-01-98(II)
Minor defect	MIL-STD-105D Inspection Level I Normal inspection Single sample inspection	Q/ED-01-98(II)

5-3 Classification of defects

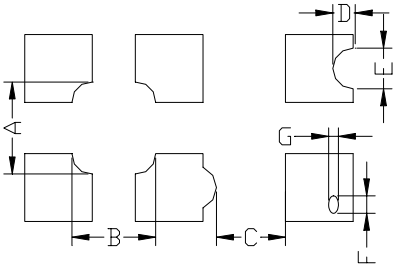
5-3-1 Major defect

A major defect refers to a defect that may substantially degrade usability for product applications.

5-3-2 Minor defect

A minor defect refers to a defect that deviates from existing standards almost unrelated to the effective use of the product or its operation.

5-4 Inspection standards

Item	Criterion for defects	Defect type																					
1) Display on inspection	(1) Non display (2) Vertical line is deficient (3) Horizontal line is deficient (4) Cross line is deficient	Major																					
2) Black / White spot	<table border="1" data-bbox="534 496 999 677"> <thead> <tr> <th>Size <math>\Phi</math> (mm)</th> <th>Acceptable number</th> </tr> </thead> <tbody> <tr> <td><math>\Phi \leq 0.3</math></td> <td>Ignore (note)</td> </tr> <tr> <td><math>0.3 &lt; \Phi \leq 0.45</math></td> <td>3</td> </tr> <tr> <td><math>0.45 &lt; \Phi \leq 0.6</math></td> <td>1</td> </tr> <tr> <td><math>0.3 &lt; \Phi</math></td> <td>0</td> </tr> </tbody> </table> <p>(Note) Not allowed if four more spots crowd together</p>	Size $\Phi$ (mm)	Acceptable number	$\Phi \leq 0.3$	Ignore (note)	$0.3 < \Phi \leq 0.45$	3	$0.45 < \Phi \leq 0.6$	1	$0.3 < \Phi$	0	Minor											
Size $\Phi$ (mm)	Acceptable number																						
$\Phi \leq 0.3$	Ignore (note)																						
$0.3 < \Phi \leq 0.45$	3																						
$0.45 < \Phi \leq 0.6$	1																						
$0.3 < \Phi$	0																						
3) Black / White line	<table border="1" data-bbox="435 729 1110 991"> <thead> <tr> <th>Length (mm)</th> <th>Width (mm)</th> <th>Acceptable number</th> </tr> </thead> <tbody> <tr> <td><math>L \leq 10</math></td> <td><math>W \leq 0.03</math></td> <td>Ignore</td> </tr> <tr> <td><math>5.0 \leq L \leq 10</math></td> <td><math>0.03 &lt; W \leq 0.04</math></td> <td>3</td> </tr> <tr> <td><math>5.0 \leq L \leq 10</math></td> <td><math>0.04 &lt; W \leq 0.05</math></td> <td>2</td> </tr> <tr> <td><math>1.0 \leq L \leq 10</math></td> <td><math>0.05 &lt; W \leq 0.06</math></td> <td>2</td> </tr> <tr> <td><math>1.0 \leq L \leq 10</math></td> <td><math>0.06 &lt; W \leq 0.08</math></td> <td>1</td> </tr> <tr> <td><math>L \leq 10</math></td> <td><math>0.08 &lt; W</math></td> <td>follows 2) point defect</td> </tr> </tbody> </table> <p>Defects separate with each other at an interval of more than 20mm.</p>	Length (mm)	Width (mm)	Acceptable number	$L \leq 10$	$W \leq 0.03$	Ignore	$5.0 \leq L \leq 10$	$0.03 < W \leq 0.04$	3	$5.0 \leq L \leq 10$	$0.04 < W \leq 0.05$	2	$1.0 \leq L \leq 10$	$0.05 < W \leq 0.06$	2	$1.0 \leq L \leq 10$	$0.06 < W \leq 0.08$	1	$L \leq 10$	$0.08 < W$	follows 2) point defect	Minor
Length (mm)	Width (mm)	Acceptable number																					
$L \leq 10$	$W \leq 0.03$	Ignore																					
$5.0 \leq L \leq 10$	$0.03 < W \leq 0.04$	3																					
$5.0 \leq L \leq 10$	$0.04 < W \leq 0.05$	2																					
$1.0 \leq L \leq 10$	$0.05 < W \leq 0.06$	2																					
$1.0 \leq L \leq 10$	$0.06 < W \leq 0.08$	1																					
$L \leq 10$	$0.08 < W$	follows 2) point defect																					
4) Display pattern	 <p>[Unit: mm]</p> <table border="1" data-bbox="427 1367 995 1433"> <tbody> <tr> <td><math>A+B \leq 0.45</math></td> <td><math>0 &lt; C</math></td> <td><math>D+E \leq 0.35</math></td> <td><math>F+G \leq 0.35</math></td> </tr> <tr> <td>2</td> <td></td> <td>2</td> <td>2</td> </tr> </tbody> </table> <p>Note: 1) Up to 3 damages acceptable 2) Not allowed if there are two or more pinholes every 3 of fourths inch.</p>	$A+B \leq 0.45$	$0 < C$	$D+E \leq 0.35$	$F+G \leq 0.35$	2		2	2	Minor													
$A+B \leq 0.45$	$0 < C$	$D+E \leq 0.35$	$F+G \leq 0.35$																				
2		2	2																				
5) Spot-like contrast irregularity	<table border="1" data-bbox="548 1525 1042 1705"> <thead> <tr> <th>Size <math>\Phi</math> (mm)</th> <th>Acceptable Number</th> </tr> </thead> <tbody> <tr> <td><math>\Phi \leq 0.7</math></td> <td>Ignore (note)</td> </tr> <tr> <td><math>0.7 &lt; \Phi \leq 1.0</math></td> <td>3</td> </tr> <tr> <td><math>1.0 &lt; \Phi \leq 1.5</math></td> <td>1</td> </tr> <tr> <td><math>1.5 &lt; \Phi</math></td> <td>0</td> </tr> </tbody> </table>	Size $\Phi$ (mm)	Acceptable Number	$\Phi \leq 0.7$	Ignore (note)	$0.7 < \Phi \leq 1.0$	3	$1.0 < \Phi \leq 1.5$	1	$1.5 < \Phi$	0	Minor											
Size $\Phi$ (mm)	Acceptable Number																						
$\Phi \leq 0.7$	Ignore (note)																						
$0.7 < \Phi \leq 1.0$	3																						
$1.0 < \Phi \leq 1.5$	1																						
$1.5 < \Phi$	0																						

LCD Module Manual

		Note: 1) Conformed to limit samples. 2) Intervals of defects are more than 30mm.		
6) Bubbles in polarizer		Size $\Phi$ (mm)	Acceptable Number	Minor
		$\Phi \leq 0.4$	Ignore (note)	
		$0.4 < \Phi \leq 0.65$	2	
		$0.65 < \Phi \leq 1.2$	1	
		$1.2 < \Phi$	0	
7) Scratches and dent on the polarizer	Scratches and dent on the polarizer shall be in the accordance with "2) Black/white spot", and "3) Black/White line".			Minor
8) Stains on the surface of LCD panel	Stains which cannot be removed even when wiped lightly with a soft cloth or similar cleaning.			Minor
9) Rainbow color	No rainbow color is allowed in the optimum contrast on state within the active area.			Minor
10) Viewing area encroachment	Polarizer edge or line is visible in the opening viewing area due to polarizer shortness or sealing line.			Minor
11) Bezel appearance	Rust and deep damages that are visible in the bezel are rejected.			Minor
12) Defect of land surface contact	Evident crevices that are visible are rejected.			Minor
13) Parts mounting	(1) Failure to mount parts (2) Parts not in the specifications are mounted (3) For example: Polarity is reversed, HSC or TCP falls off.			Major
14) Part alignment	(1) LSI, IC lead width is more than 50% beyond pad outline. (2) More than 50% of LSI, IC leads is off the pad outline.			Minor
15) Conductive foreign matter (solder ball, solder hips)	(1) $0.45 < \Phi, N \geq 1$			Major
	(2) $0.3 < \Phi \leq 0.45, N \geq 1$ $\Phi$ : Average diameter of solder ball (unit: mm)			Minor
	(3) $0.5 < L, N \geq 1$ $L$ : Average length of solder chip (unit: mm)			Minor
16) PCB pattern damage	(1) Deep damage is found on copper foil and the pattern is nearly broken.			Major
	(2) Damage on copper foil other than 1) above			Minor
17) Faulty PCB correction	(1) Due to PCB copper foil pattern burnout, the pattern is connected, using a jumper wire for repair; 2 or more places are corrected per PCB.			Minor
	(2) Short-circuited part is cut, and no resist coating has been performed.			
18) Bezel flaw	Bezel claw missing or not bent			Minor
19) Indication on name plate (sampling indication label)	(1) Failure to stamp or label error, or not legible.(all acceptable if legible)			Minor
	(2) The separation is more than 1/3 for indication discoloration, in which the characters can be checked.			

## 6. Reliability

### 6-1 Lifetime

50,000 hours (25 in the room without ray of sun)

### 6-2 Items of reliability

Item	Condition	Criterion
1) High Temperature Operating	60 96hrs	No cosmetic failure is allowable. Contrast ratio should be between initial value $\pm 10\%$ . Total current consumption should be below double of initial value.
2) Low Temperature Operation	-20 96hrs	
3) Humidity	40 , 90%RH, 96hrs	No cosmetic failure is allowable. Contrast ratio should be between initial value $\pm 20\%$ . Total current consumption should be below double of initial value.
4) High Temperature	70 96hrs	
5) Low Temperature	-30 96hrs	
6) Thermal shock	25 30 25 70 5(min) 30(min) 5(min) 30(min) 5 cycle, 55~60%RH	
7) Vibration	10~55~10hz amplitude: 1.5mm 2hrs for each direction (X,Y,Z)	No defects in cosmetic and operational function are allowable. Total current consumption should be below double of initial value.

## 7. Handling precautions

### 7-1 Mounting method

A panel of LCD module made by Dalian Eastern Display Co., Ltd. consists of two thin glass plates with polarizers that easily get damaged.

And since the module is so constructed as to be fixed by utilizing fitting holes in the printed circuit board (PCB).

Extreme care should be used when handling the LCD modules.

### 7-2 Cautions of LCD handling and cleaning

When cleaning the display surface, use soft cloth with solvent (recommended below) and wipe lightly.

- Isopropyl alcohol
- Ethyl alcohol
- Trichlorotrifluoroethane

Do not wipe the display surface with dry or hard materials that will damage the polarizer surface.

Do not use the following solvent:

- Water
- Ketone

- Aromatics

### 7-3 Caution against static charge

The LCD module use C-MOS LSI drivers. So we recommend you:

Connect any unused input terminal to  $V_{dd}$  or  $V_{ss}$ . Do not input any signals before power is turned on, and ground your body, work/assembly areas, assembly equipment to protect against static electricity.

### 7-4 Packaging

- Module employs LCD elements, and must be treated as such. Avoid intense shock and falls from a height.
- To prevent modules from degradation, do not operate or store them exposed direct to sunshine or high temperature/humidity.

### 7-5 Caution for operation

- It is an indispensable condition to drive LCD module within the limits of the specified voltage since the higher voltage over the limits may cause the shorter life of LCD module.  
An electrochemical reaction due to DC (direct current) causes LCD undesirable deterioration so that the uses of DC (direct current) drive should be avoided.
- Response time will be extremely delayed at lower temperature than the operating temperature range and on the other hand at higher temperature LCD module may show dark color in them. However those phenomena do not mean malfunction or out of order of LCD module, which will come back in the specified operating temperature.

### 7-6 Storage

In the case of storing for a long period of time, the following ways are recommended:

- Storage in polyethylene bag with the opening sealed so as not to enter fresh air outside in it. And with not desiccant.
- Placing in a dark place where neither exposure to direct sunlight nor light is. Keeping the storage temperature range.
- Storing with no touch on polarizer surface by any thing else.

### 7-7 Safety

- It is recommendable to crash damaged or unnecessary LCD into pieces and to wash off liquid crystal by either of solvents such as acetone and ethanol, which should be burned up later.
- When any liquid leaked out of a damaged glass cell comes in contact with your hands, please wash it off well at once with soap and water.

## 8. Precaution for use

- 8-1 Both parties should provide a limit sample on an occasion when both parties agree its necessity.  
The judgement by a limit sample shall take effect after the limit sample has been established and confirmed by both parties
- 8-2 On the following occasions, the handling of problem should be decided through discussion and agreement between responsible of the both parties.
- When a question is arisen in this manual.
  - When a new problem which is not specified in this manual is arisen.
  - Some problem is arisen due to the change of inspection and operating conditions in users.
  - When a new problem is arisen at the customer's operating set for sample evaluation in the customer site.

## 9. External Dimensions and Block Diagrams

### 9-1 Block Diagram

